

HAGAB®

# BASIC 4

## Non-return damper



BASIC 4



BASIC 4 (with IRIS damper)

BASIC 4 non-return dampers prevent fire gases from spreading through the supply air system in supply/exhaust ventilation systems with fans in operation during fire. Suitable for apartments, hotels, hospitals and retirement housing. Type approved.

### NON-RETURN DAMPER BASIC

BASIC 4 is installed in the supply air duct in an FTX system to prevent the spread of fire gas. The exhaust air system is dimensioned for the evacuation of fire gas. Both the supply air and exhaust air fans must be in operation throughout the course of the fire. The product is self-acting and contains no moving mechanical parts.

### TEST

BASIC has been tested by RISE, Research Institutes of Sweden, according to EN 1751, pressure class 2 and air tightness class B according to AMA QJB/1 in AMA VVS & Kyla 22.

Type approval 0016/05.

It can be installed horizontally or vertically, see Fig. 1.

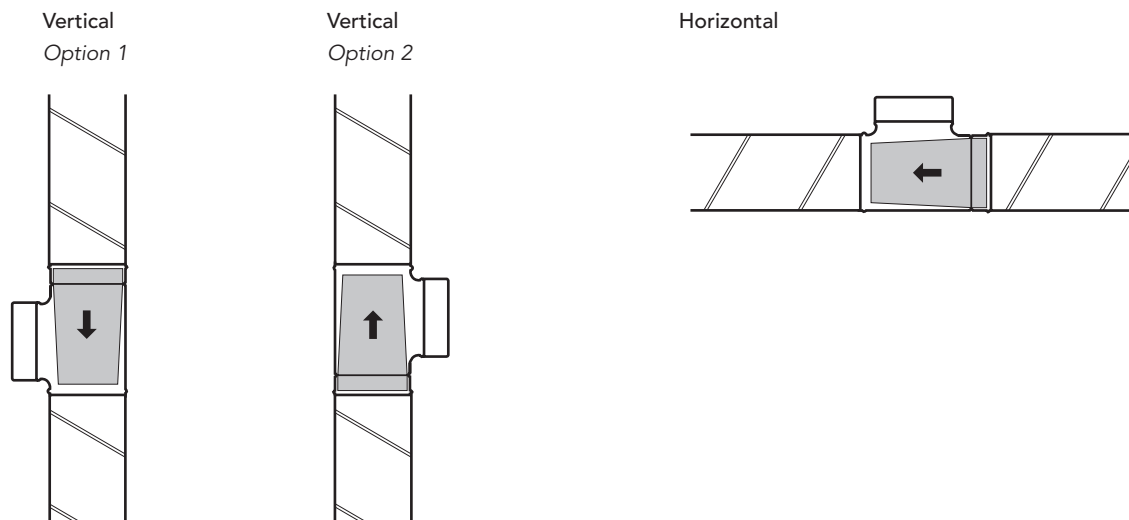


Fig1.



# BASIC 4

## Non-return damper

### BASIC 4

Shafts between several floors or in corridors on the same floor according to Fig. 2.

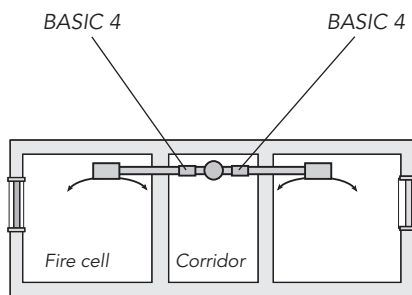


Fig2. Side view

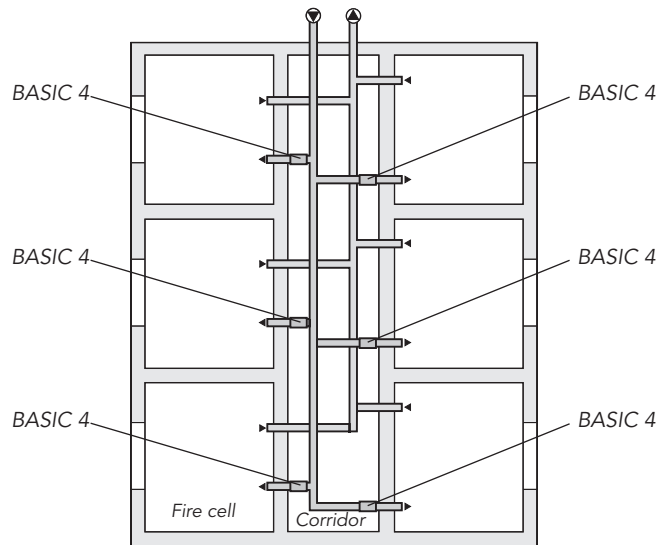


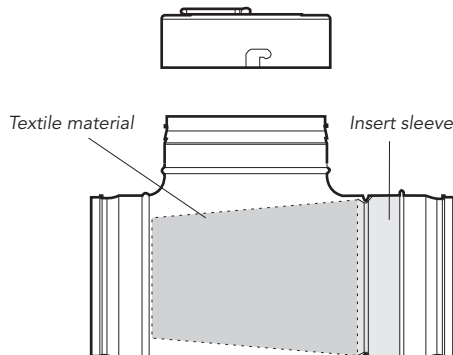
Fig2. Floor view

### INSTALLATION IN VENTILATION DUCT

Ventilation ducts and components are installed with suspension devices with the required bearing capacity **R**, according to BBR.

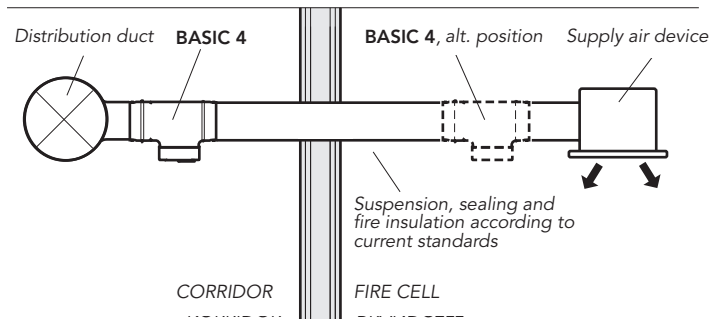
BASIC 4 can be supplied with an integrated IRIS damper. This combination must be installed with a straight duct with a length of minimum **2 duct diameters**, depending on the type of interference, before the measuring device for good measuring accuracy.

BASIC can be covered with insulation if the product's inspection requirements are considered.



### BEFORE INSTALLATION, ENSURE THAT:

- the insert sleeve is in its correct position.
- the textile material is stretched out.



# BASIC 4

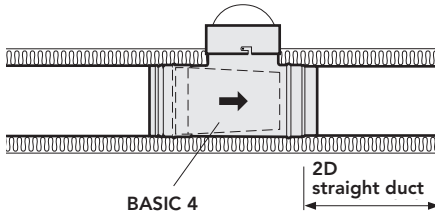
## Non-return damper

### INSTALLATION IN TIGHT SPACES

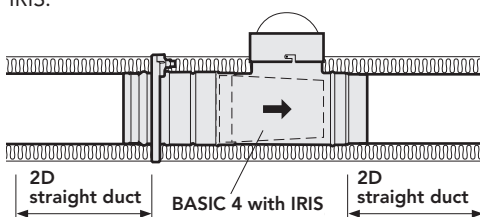
BASIC 4 should preferably be used where there is limited space available for installation and inspection or where thermal insulation of the duct system is required.

### MINIMUM LENGTH STRAIGHT DUCT

There should always be a straight duct in the direction of the air flow with a minimum length of **two duct diameters** installed after BASIC 4.



There should always be a straight duct with a minimum length of **two duct diameters** installed before and after BASIC 4 with IRIS.



### BASIC 4 WITH INTEGRATED IRIS DAMPER

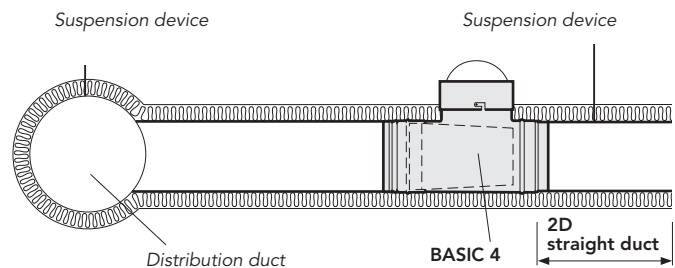
#### Measuring and adjustment function

Where the product is selected with an integrated IRIS damper, the following measurements shall apply:

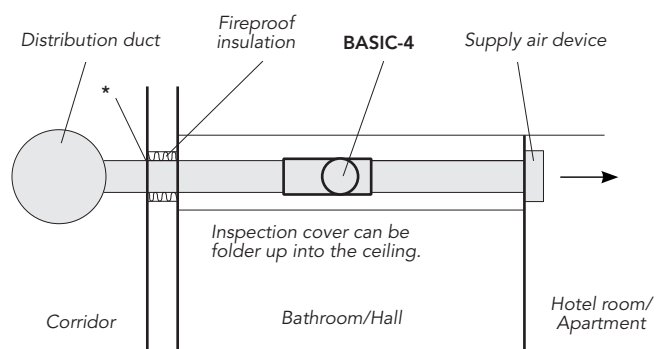
Setting	Size					
	100	125	160	200	250	315
	k-factor					
1	10.4	13.8	22.1	44.2	64.4	118
2	7.5	8.8	14.8	30.9	45.6	70.0
3	6.0	6.5	12.5	23.2	38.7	58.7
4	4.5	4.7	10.7	18.2	30.7	45.1
5	3.4	3.4	8.5	14.0	24.1	37.0
6	2.5	2.7	6.8	11.0	18.4	30.0
7	1.7	1.5	4.9	8.4	12.8	21.8
8	0.9	-	3.5	5.0	8.9	15.8

### INSTALLATION IN COLD SPACES

**Insulation of a free duct system in a cold attic.** If the BASIC 4 inspection hatch is not accessible due to external insulation, we recommend installing the inspection pipe extension accessory.



### INSTALLATION IN HOTEL ROOMS/APARTMENTS



\*The ventilation duct is insulated at the breakthrough of the fire separating element and considering cabling and radiation.



HAGAB®

# BASIC 4

## Non-return damper

### INSPECTION AND CLEANING

**BASIC 4** can be inspected via a lid with a bayonet socket

#### Inspection

- Check that the inner and outer cone material has not been subjected to mechanical damage and that the material is still intact.
- Check and vacuum clean the inner and outer cone material if necessary.
- Check and clean the protective mesh if necessary.

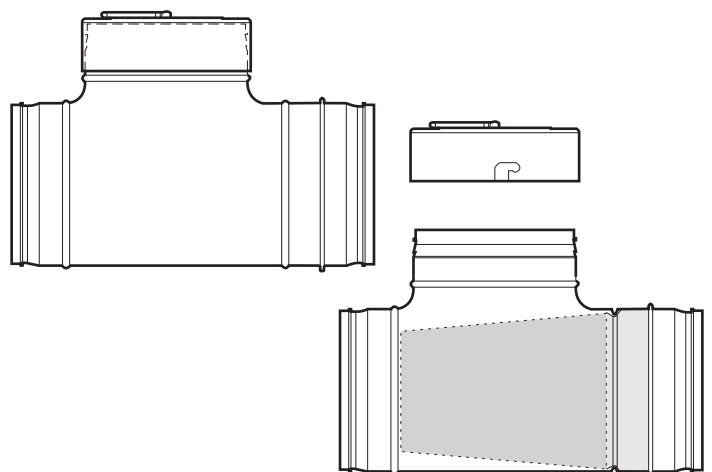
#### Scheduled inspection

Randomly every three years, preferably in connection with the OVK performance inspection and:

- when converting the ventilation system
- when cleaning the duct system.

### BASIC 4

- The inspection lid is removed by turning and pulling it outwards.
- Inspect according to drawing below.
- If required, remove the insert by deforming the retaining ring sewn into the textile material.
- Re-install the insert after inspection.
- Ensure that the textile material is stretched out.
- Re-install the inspection lid and turn it so the bayonet socket is in the correct position.
- The IRIS damper can be cleaned when the damper is in its maximum open position. Before cleaning, mark the adjusted position. Cleaning can only take place upstream and in the direction of air flow. After the IRIS damper there is a mesh in the non-return damper that prevents the cleaning tool from entering further into the duct system.



HAGAB guarantees that production of the BASIC 4 non-return damper is carried out in accordance with Production control/Type approval certificate 0016/05 and the associated documents.